

Sphere and half-sphere domes consisting of an upper part made of black aluminium and a lower spherical part in semi-transparent black plexiglass. This system allows only one diaphragm of luminosity to be lost by the camera and at the same time masks it. The dome easily blends in with existing outdoor lighting, allowing a discreet surveillance of the area, particularly if it is combined with an infrared light system.

DBH45

Full sphere weatherproof dome for installations with wall, ceiling or pole mounting. Its internal dimensions make it suitable for a wide range of cameras and lenses. It is normally supplied with camera bracket and joint; as an option, it is possible to mount the camera power supply, the heater kit and one of the Pan & Tilt motors from the IPTS series.

DSBH45

Half-sphere dome. Same features and options as the full-sphere model. It does not need any bracket: it can be directly attached to the ceiling or the false ceiling.

DSBH24

Ceiling half-sphere dustproof dome. Its internal dimensions make it suitable for CCD cameras. The half-sphere dome does not need any bracket: it can be directly attached to the ceiling or the false ceiling. It is supplied with camera bracket and joint.

DBH45+DBH01

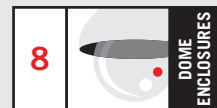


- Camera bracket with joint included
- Indoor installation (only DBH45 outdoor)
- Optional P&T motor (DBH45/DSBH45)
- Optional heater kit (DBH45/DSBH45)

DSBH45



DSBH24



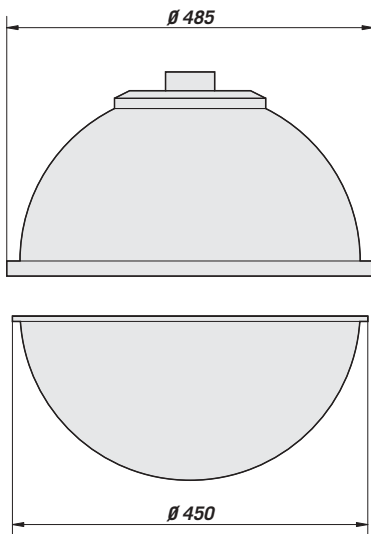
DOMES ENCLOSURES:

DBH45	Full sphere dome 450 mm / 17.7 in diameter
DSBH45	Half sphere-dome 450 mm / 17.7 in diameter
DSBH24	Half sphere-dome 240 mm / 9.4 in diameter
DSBH24TR	Half sphere-dome with transparent plex 240 mm / 9.4 in diameter

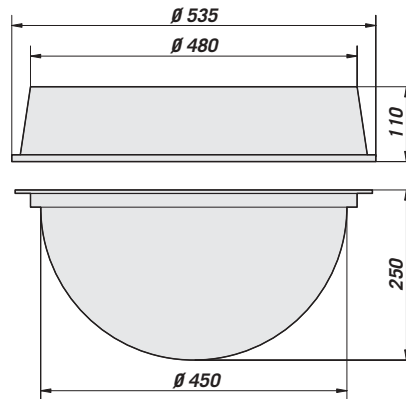
ACCESSORIES:

OBH45H1	Heater 230VAC for DBH45
OBH45H2	Heater 24VAC for DBH45
OBH45H3	Heater 12VDC for DBH45
OBH45PS1	Camera power supply 12VDC/230VAC for DBH45
OBH45PS2	Camera power supply 24/230VAC for DBH45

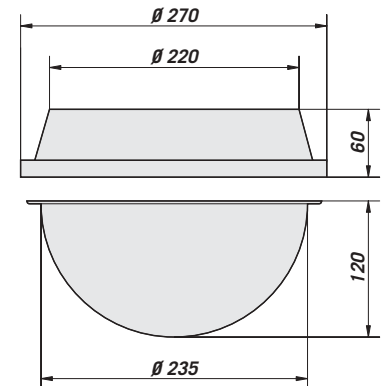
DBH45



DSBH45



DSBH24



The values are in millimeters.

TECHNICAL DATA

GENERAL

- Upper part of full sphere and half-sphere made of black aluminium; half-sphere in semi-transparent black PMMA

MECHANICAL

DBH45

- External dimensions: diameter 485 mm (19 in)

DSBH45

- External dimensions: diameter 535x355 mm (21x13.9 in)

DSBH24

- External dimensions: diameter 270x180 mm (10.6x7 in)

ELECTRICAL

Fan-assisted heater, Ton 15°C+/-3°C (59°F) Toff 22°C +/-3°C (71°F):

OBH45H3	IN 12VDC, consumption 24W
OBH45H2	IN 24VAC, consumption 24W
OBH45H1	IN 230VAC, consumption 44W

Fixed camera power supply:

OBH45PS1	IN 230VAC, 50Hz - OUT 12VDC, 400mA max
OBH45PS2	IN 230VAC, 50Hz - OUT 24VAC, 400mA max

RELATED PRODUCTS

P&T:

- IPTS720F** P&T IN 230VAC, 50Hz.
black indoor ceiling mounting for DBH24
- IPTS721F** P&T IN 24VAC, 50Hz
black indoor ceiling mounting for DBH24

Brackets:

- DBH01** DBH45 wall mount
- DBH03** Ceiling mount for DBH45 and DBH24

ENVIRONMENTS

- Indoor
- Indoor/outdoor (DBH45)

COMPLIANCE TO

- CE according to EN 61000-6-3, EN 60065, EN 50130-4
- IP65 EN 60529

SPARE PARTS LIST

- OBH45PLEXTS** Spare transparent Plex for DBH-DSBH45
- OSBH24PLEXTS** Spare transparent Plex for DSBH24



Unit Weight (kg / lb):

DBH45: 3,5 / 7.7
DSBH45: 3,5 / 7.7
DSBH24: 1 / 2.2

Package Weight (kg / lb):

DBH45: 6,4 / 14.1
DSBH45: 6,4 / 14.1
DSBH24: 1,6 / 3.5

Package Dimensions (cm / in):

DBH45: 54x54x39 / 21x21x15.3
DSBH45: 54x54x39 / 21x21x15.3
DSBH24: 31x23,5x31 / 12.2x9.2x12.2

Master Carton (units):

DBH45: 1
DSBH45: 1
DSBH24: 4